

Voltage Step-up Coils

Series: **Chip**
Type: **5KT**



ELT5KT

High inductance, low profile choke coil

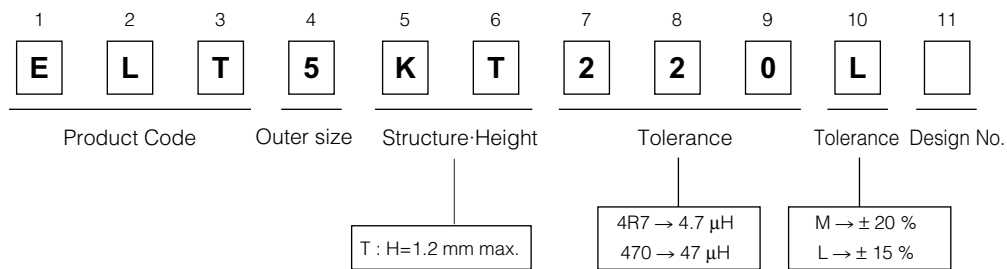
■ Features

- Low profile (H=1.2 mm max.)
- High saturation current characteristics

■ Recommended Applications

- DC-DC converter circuitry for LCD driver circuits
- DC-DC converter circuitry for low profile DC-DC equipment

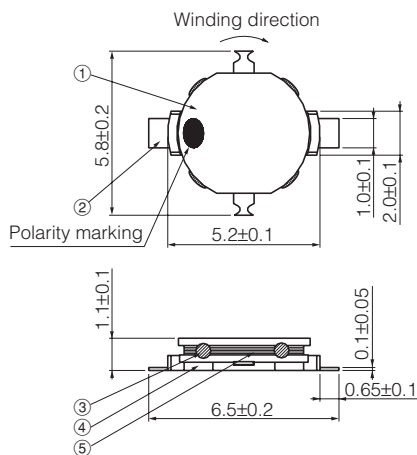
■ Explanation of Part Numbers



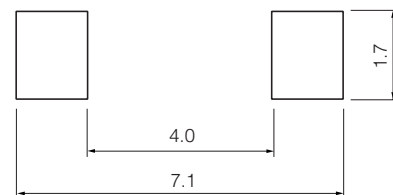
■ Standard Packing Quantity

- 5000 pcs./Reel

■ Dimensions in mm (not to scale)



■ Recommended Land Pattern in mm (not to scale)



Part Name: ① Core ② Terminal ③ Adhesive ④ Terminal board ⑤ Coil

■ Standard Parts

Part No.	Inductance			R. D. C (at 25 °C)		DC Current (at 25 °C) (mA)max. *	Maximum DC Current (at 25 °C) (mA)max. **
	(μH)	Tolerance(%)	Test Freq. (kHz)	(Ω)	Tolerance(%)		
ELT5KT3R3MB	3.3	±20	100	0.17	± 20	1000	1250
ELT5KT4R7MB	4.7			0.20		950	1000
ELT5KT6R8MB	6.8			0.30		760	850
ELT5KT100MC	10.0			0.36		680	680
ELT5KT150LB	15.0	±15		0.58		510	540
ELT5KT220LB	22.0			0.90		420	480
ELT5KT330LB	33.0			1.20		360	380
ELT5KT470LB	47.0			1.70		300	320
ELT5KT680LB	68.0			2.60		260	260
ELT5KT101LB	100.0			4.30		190	210

* DC Current : Current value measured before a temperature rise of the coil reaches a maximum of 40 °C

** Maximum DC Current : Current value when the inductance typically changes -5 % from its original value